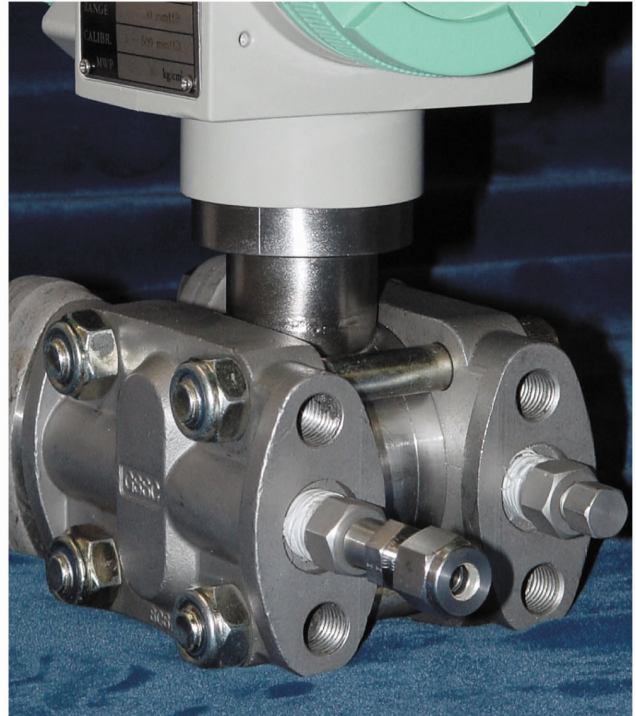
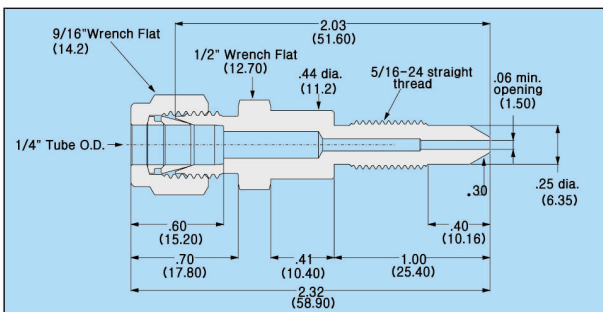
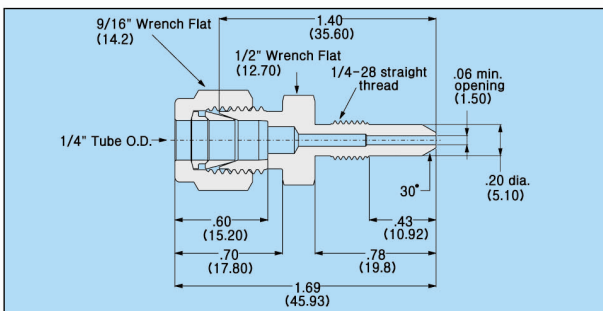


# Hy-Lok<sup>®</sup> Calibration Fittings for DP Transmitters

- Quick Access for Transmitter Calibration
- Saves Time, Lowers Costs
- Straight Threads Eliminate Galling
- Standard Material 316 Stainless Steel



## Dimensions



Dimensions are inches and (mm) - for reference only subject to change.

## Part / Order Number

**CCF4-1U(1/4"-28 thread)**

**CCF4-2U(5/16"-24 thread)**



**HY-LOK CORPORATION**

© 2001 HY-LOK CORPORATION all rights reserved